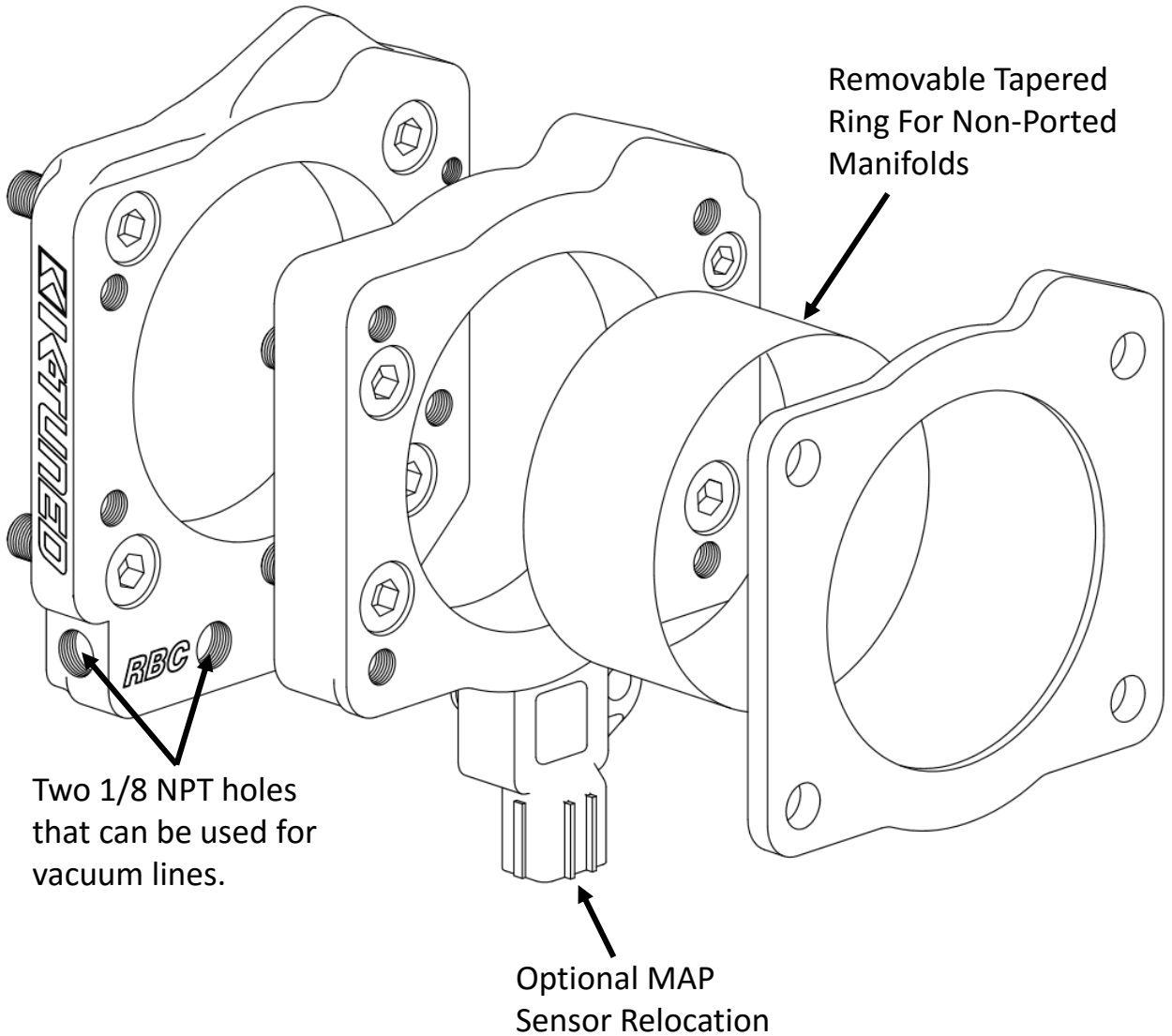




ZDX Throttle Body Adapter

KTD-ZDX-RBC / KTD-ZDX-PRB



Before installing the Throttle Body Plate Ensure the MAP Sensor is installed as well as any fittings being used on the manifold plate.

The Tapered Ring is designed to go from the ZDX throttle body down to stock manifold port.

If using the ring install the ring on the manifold plate first then slide the throttle body plate over the ring.